

cars LIGHT **life** dancing hamburger
 square failure
 foot party tenacity punk
 appetite **hindsight**
 breakfast
fashion party
 WOMEN MUSIC
 computers grace stars
 pen drive 2 71828183
 frown murder PHONES
 circle hate punctuation
 blink **steak** ENERGY
 ninjas FINISH
 TEA youth
 heavy pride
 jeep ADDICTION
 NO trees GUIDE KIDNEY
 CLOUDS night snickers money
 gravity FEAR MATHS
the universe LOVE
 black holes
 television
LUCK
 happy OLD

ice taste rain mars
 TOWELS 3.14159265
 fabric instructions
 hitchhikers **PIE** scrabble
 wood humour MEN chemistry
 the internet 1000
SUCCESS relevance
COLOUR diamonds
 IN COFFIN blood
 roads lakes
 people must start
 joy laughter
 rubbish MOVIES
 hope stars
 pattern MARIO
 BRON retraction
 opinion elastic
 rainbows
 ice cream APES
 paper
 beat
 FLOWERS creativity
 TIME alcohol passion HISTORY LANGUAGE
EVERYTHING

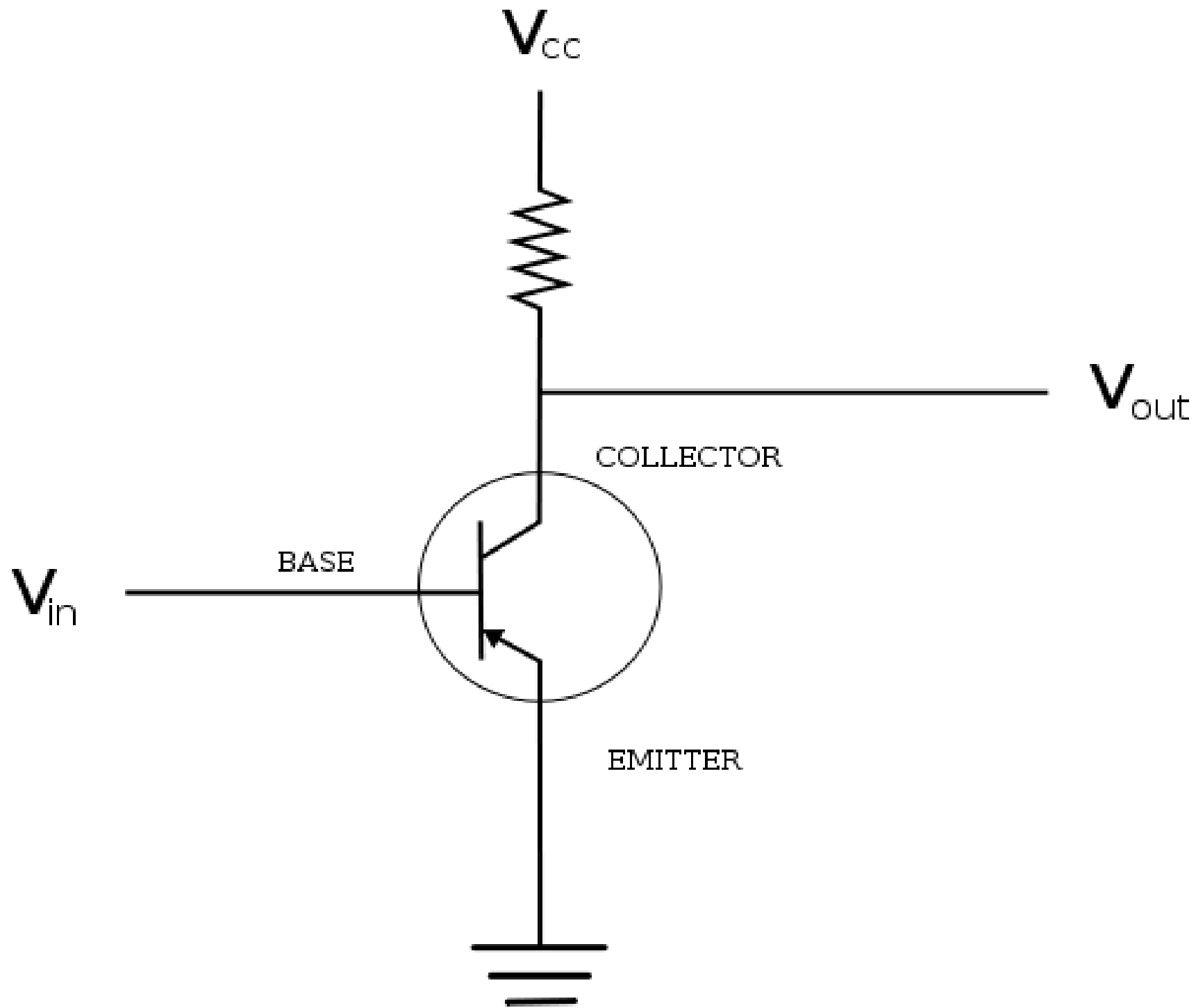
Say whut?

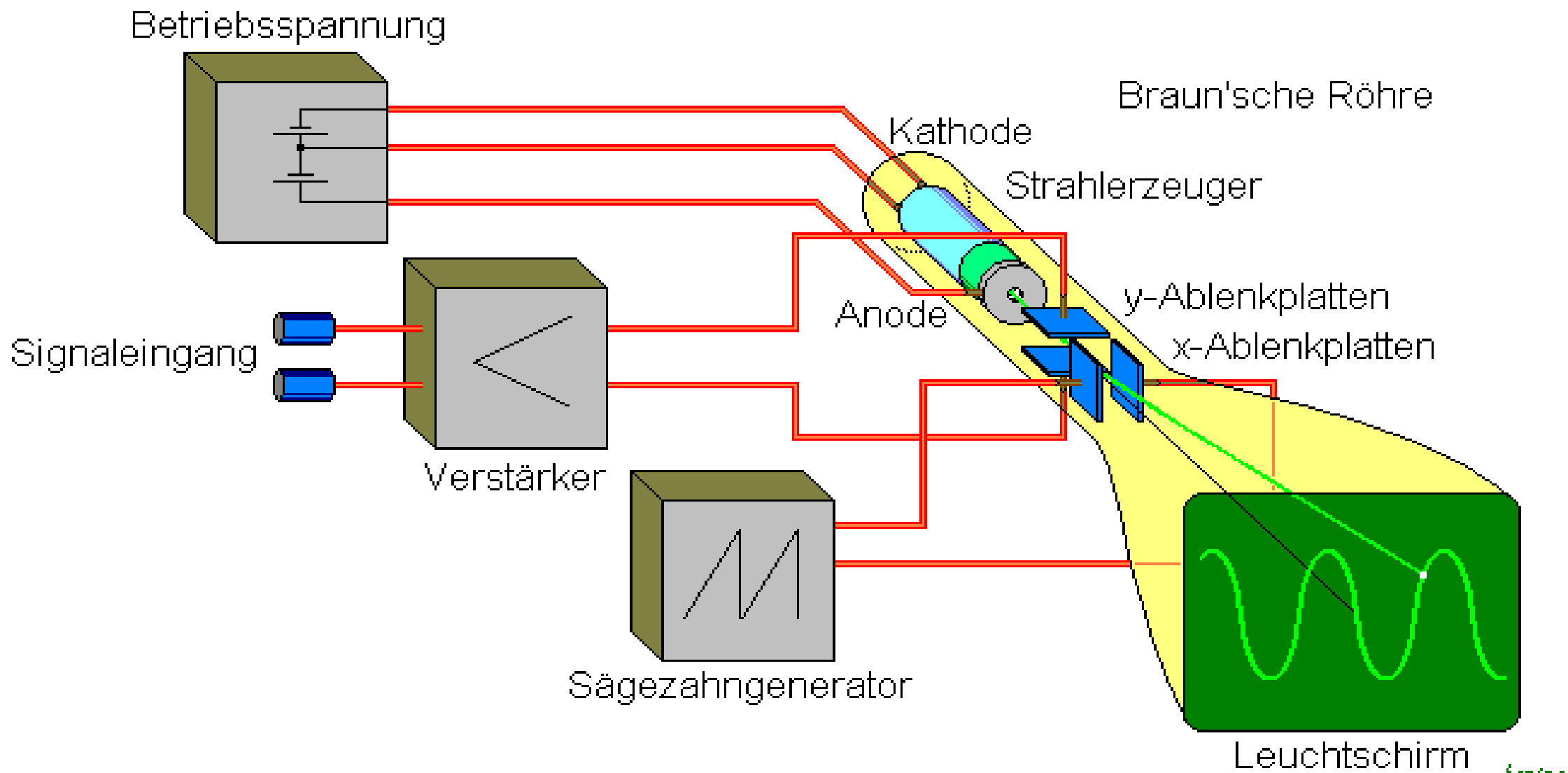


Lightning talks reloaded

- Maximal 5-10 Minuten
- Interessantes aus dem Leben™
- Technisch, nicht-technisch --> egal
- Kurz, Teilaspekt, nicht zu detailliert (-> Dauer)
- Kein Expertenwissen!
- Jeder hat Wissen zum Teilen









COPYLEFT

STRIKE

AGAINST SOPA PIPA AND ACTA

Hier, icke z.B.:





CPU 319-3 PN/DP

BF 1
BF 2
BF 3

SF
DC5V
FRCE
RUN
STOP



RUN
STOP
MRES

SIEMENS

SIMATIC
S7-300



2

318-3EL00-0AB0

X12
314

SM323
DI16/DO16xDC24V

0
1
2
3
4
5
6
7
Δ IN
▽

4

X16
718

323-1BL00-0AA0

SM322
DO 32xDC24V/0.5A

0
1
2
3
4
5
6
7
Δ OUT
▽

5

X17
816

322-1BL00-0AA0

SM322
DO 32xDC24V/0.5A

0
1
2
3
4
5
6
7

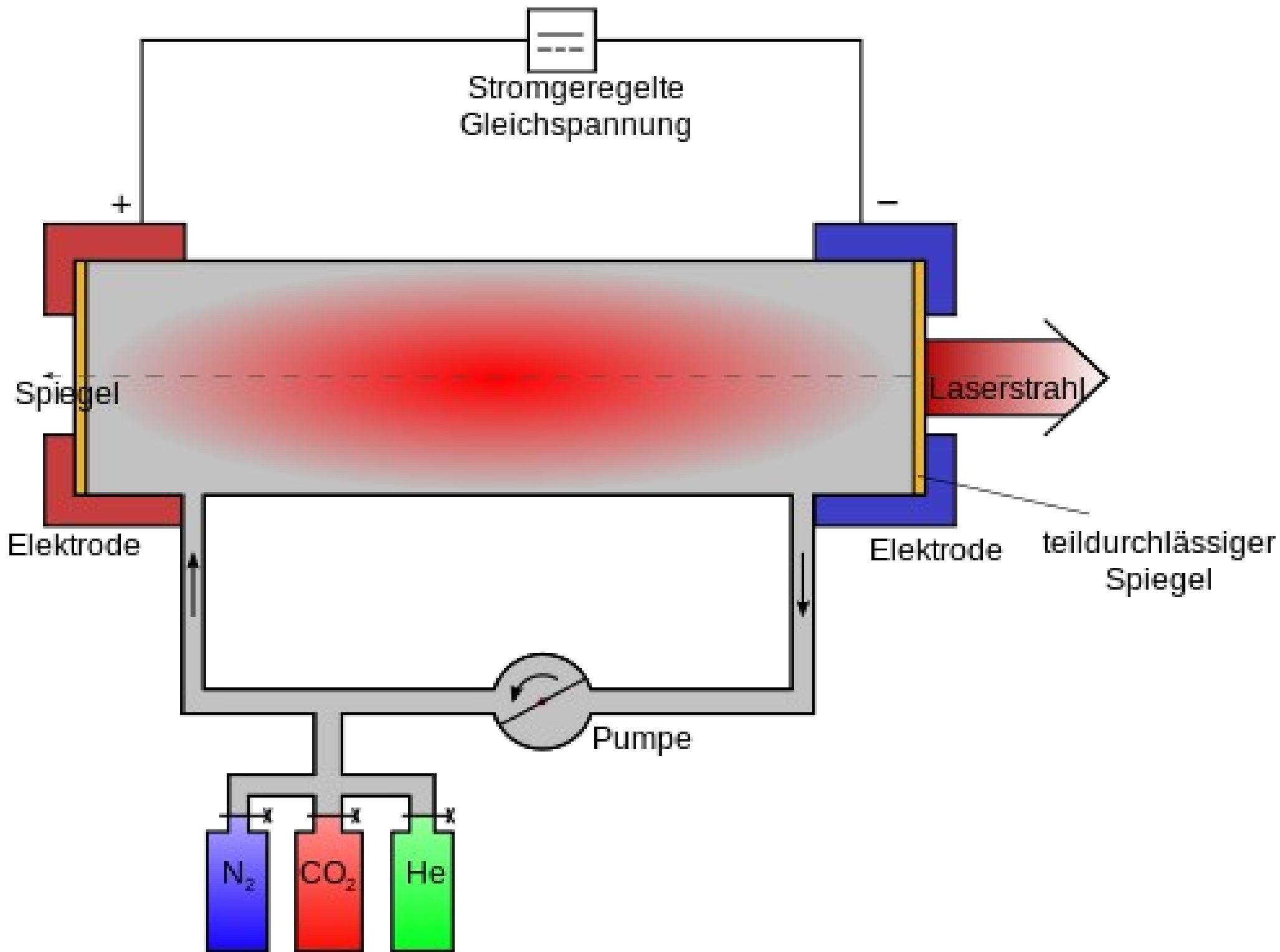
6

X17
816

322-1BL00-0AA0

S7-300 VER







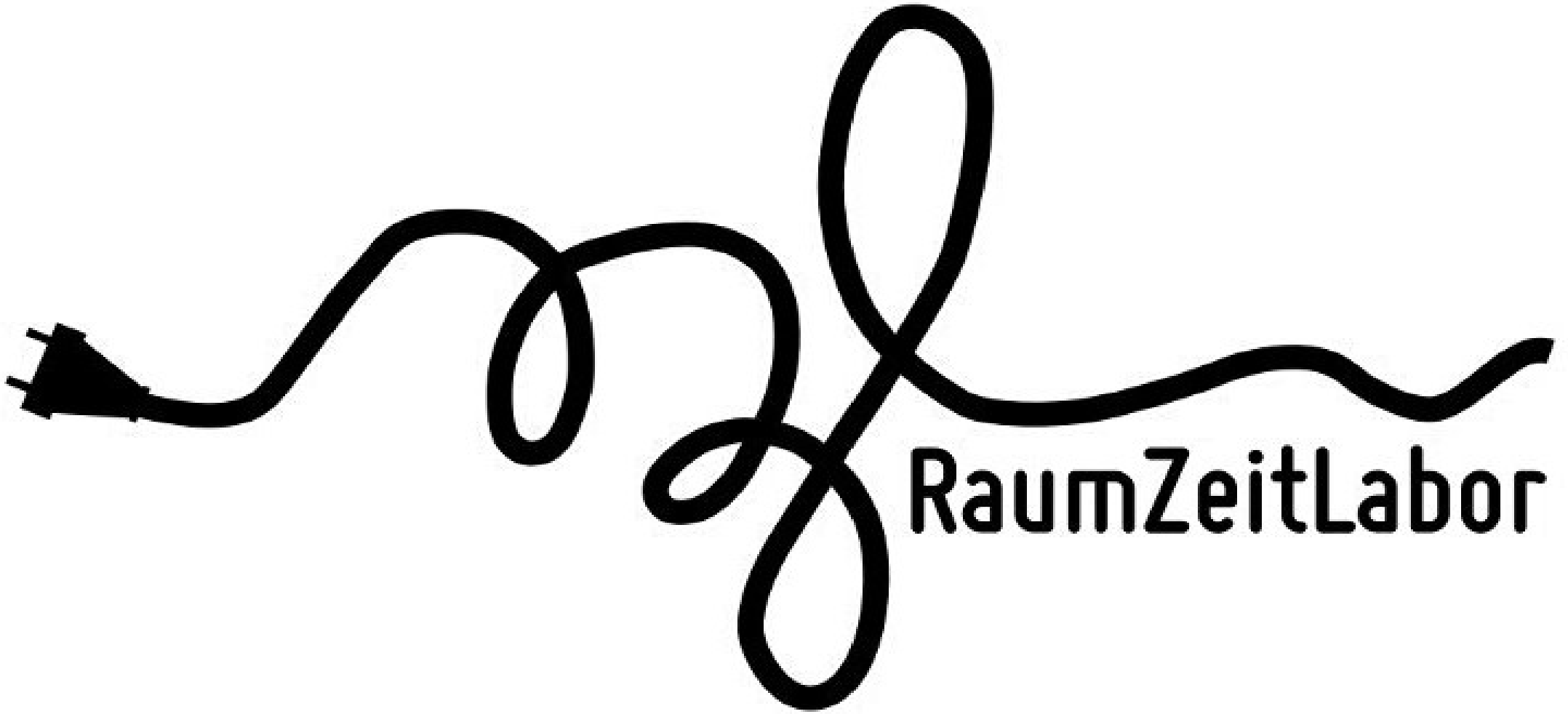




Und ihr so?

(es geht auch ohne Folien, wir haben eine Tafel!)





RaumZeitLabor